

DC-2200 Drying cabinet



DC-2200 Drying cabinet is designed especially for drying surgical instruments, anaesthetic hoses & equipment, as well as other reusable items used in patient health care.

It is dimensioned particularly for use together with the Deko-2000 -series washer-disinfectors. The chamber can accommodate two full loads (4+4 shelves) from the washers. The sound and heat insulated double walls of the cabinet are made of AISI304 stainless steel. DC-2200 is available as a single door or pass-through model, left or right-hinged.

FRANKE

Technical data

Models

372200 DC-2200 single door

- right or left-hinged

372220 DC-2200 pass-through

- right or left-hinged

Standard equipment

- 3 removable wire shelves
- holder shelf for 36 long AN-hoses
- 2 hose cassettes for 6+6 hoses
- rails for 8 shelves
- ventilation connection sleeve
- program start buttons
- digital thermometer
- phase indication
- air filter
- adjustable feet

Microprocessor control

- three programs with varying duration
- five program stations
- temp.adjustment up to +90 °C
- time regulation 1-99 mins or continuous
- remaining time indication

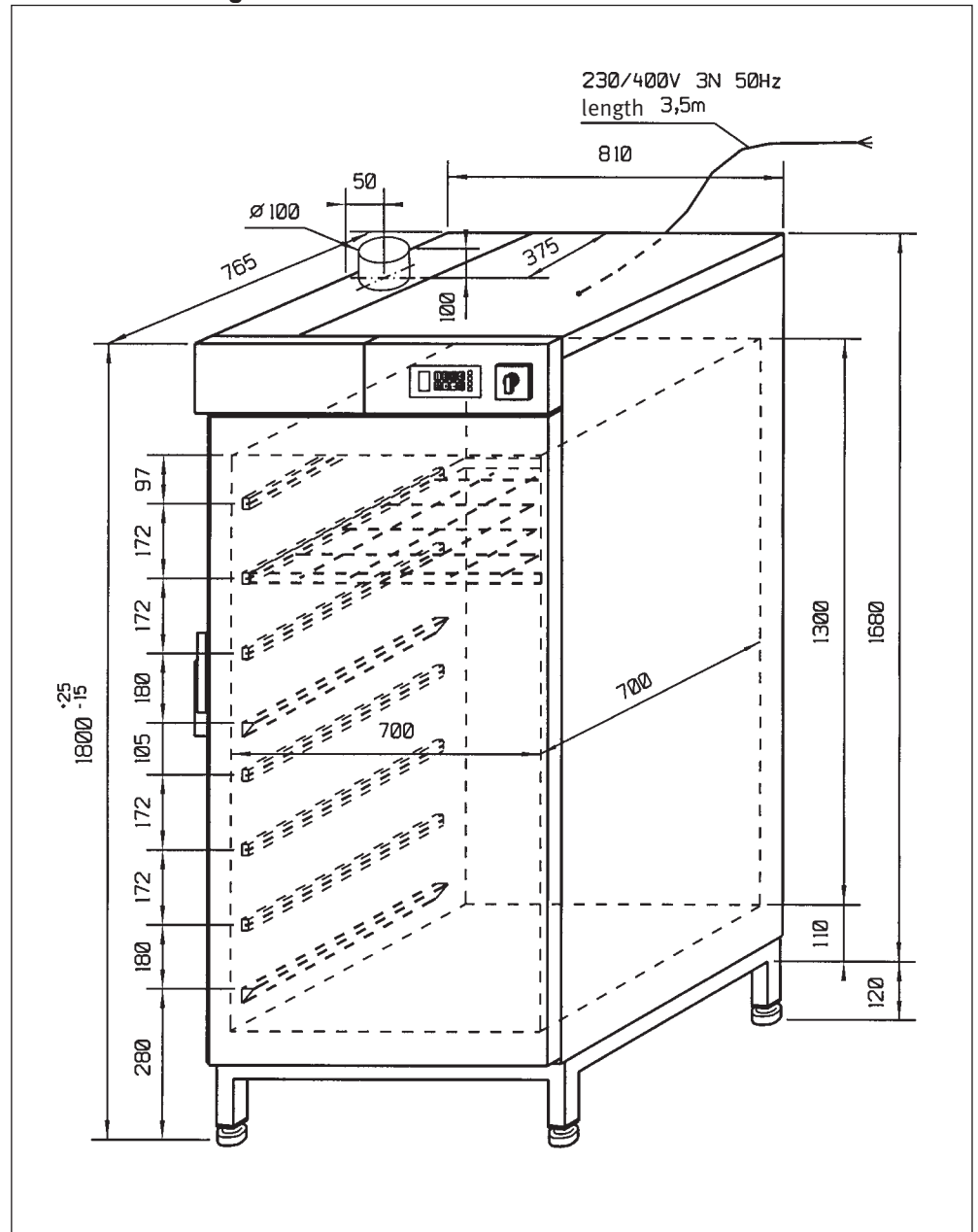
Connections

- electricity 400V, 3N, 16A
- power 5,6 kW
- heating effect 5,2 kW
- air discharge, dia 100 mm
- discharge volume 28L/sec
- weight 165 kgs

Accessories

- additional wire shelf, code 374010

Dimensional drawing



Subject to alterations without further notice.